

PARTS LIST

CAUTION

- The parts identified by the Δ symbol are important for the safety . Whenever replacing these parts, be sure to use specified ones to secure the safety.
- The parts not indicated in this Parts List and those which are filled with lines --- in the Parts No. columns will not be supplied.
- P. W. Board Ass'y will not be supplied, but those wphich are filled with the Parts No. in the Parts No. columns will be supplied.

ABBREVIATIONS OF RESISTORS, CAPACITORS AND TOLERANCES

RESISTORS		CAPACITORS	
CR	Carbon Resistor	C CAP.	Ceramic Capacitor
FR	Fusible Resistor	E CAP.	Electrolytic Capacitor
PR	Plate Resistor	M CAP.	Mylar Capacitor
VR	Variable Resistor	CH CAP.	Chip Capacitor
HV R	High Voltage Resistor	HV CAP.	High Voltage Capacitor
MF R	Metal Film Resistor	MF CAP.	Metalized Film Capacitor
MG R	Metal Glazed Resistor	MM CAP.	Metalized Mylar Capacitor
MP R	Metal Plate Resistor	MP CAP.	Metalized Polystyrol Capacitor
OM R	Metal Oxide Film Resistor	PP CAP.	Polypropylene Capacitor
CMF R	Coating Metal Film Resistor	PS CAP.	Polystyrol Capacitor
UNF R	Non-Flammable Resistor	TF CAP.	Thin Film Capacitor
CH V R	Chip Variable Resistor	MPP CAP.	Metalized Polypropylene Capacitor
CH MG R	Chip Metal Glazed Resistor	TAN. CAP.	Tantalum Capacitor
COMP. R	Composition Resistor	CH C CAP.	Chip Ceramic Capacitor
LPTC R	Linear Positive Temperature Coefficient Resistor	BP E CAP.	Bi-Polar Electrolytic Capacitor
		CH AL E CAP.	Chip Aluminum Electrolytic Capacitor
		CH AL BP CAP.	Chip Aluminum Bi-Polar Capacitor
		CH TAN. E CAP.	Chip Tantalum Electrolytic Capacitor
		CH AL BP E CAP.	Chip Tantalum Bi-Polar Electrolytic Capacitor

RESISTORS									
F	G	J	K	M	N	R	H	Z	P
±1%	±2%	±5%	±10%	±20%	±30%	+30% -10%	+50% -10%	+80% -20%	+100% -0%

CONTENTS

USING P.W. BOARD & REMOTE CONTROL UNIT	2
EXPLODED VIEW PARTS LIST -1	3
EXPLODED VIEW -1	3
EXPLODED VIEW PARTS LIST -2	4
EXPLODED VIEW -2	5
PRINTED WIRING BOARD PARTS LIST	6
MAIN P.W. BOARD ASS'Y	6
POWER & DEF P.W. BOARD ASS'Y	9
CRT SOCKET P.W. BOARD ASS'Y	11
FRONT CONTROL P.W. BOARD ASS'Y	12
SIDE CONTROL P.W. BOARD ASS'Y	12
LINE FILTER P.W. BOARD ASS'Y	12
DOLBY P.W. BOARD ASS'Y	12
EHT P.W. BOARD ASS'Y	15
DEF OSC P.W. BOARD ASS'Y	16
MICOM P.W. BOARD ASS'Y	17
AV SW P.W. BOARD ASS'Y	18
DIST P.W. BOARD ASS'Y	20
REMOTE CONTROL UNIT PARTS LIST	27
PACKING	28
PACKING PARTS LIST	28

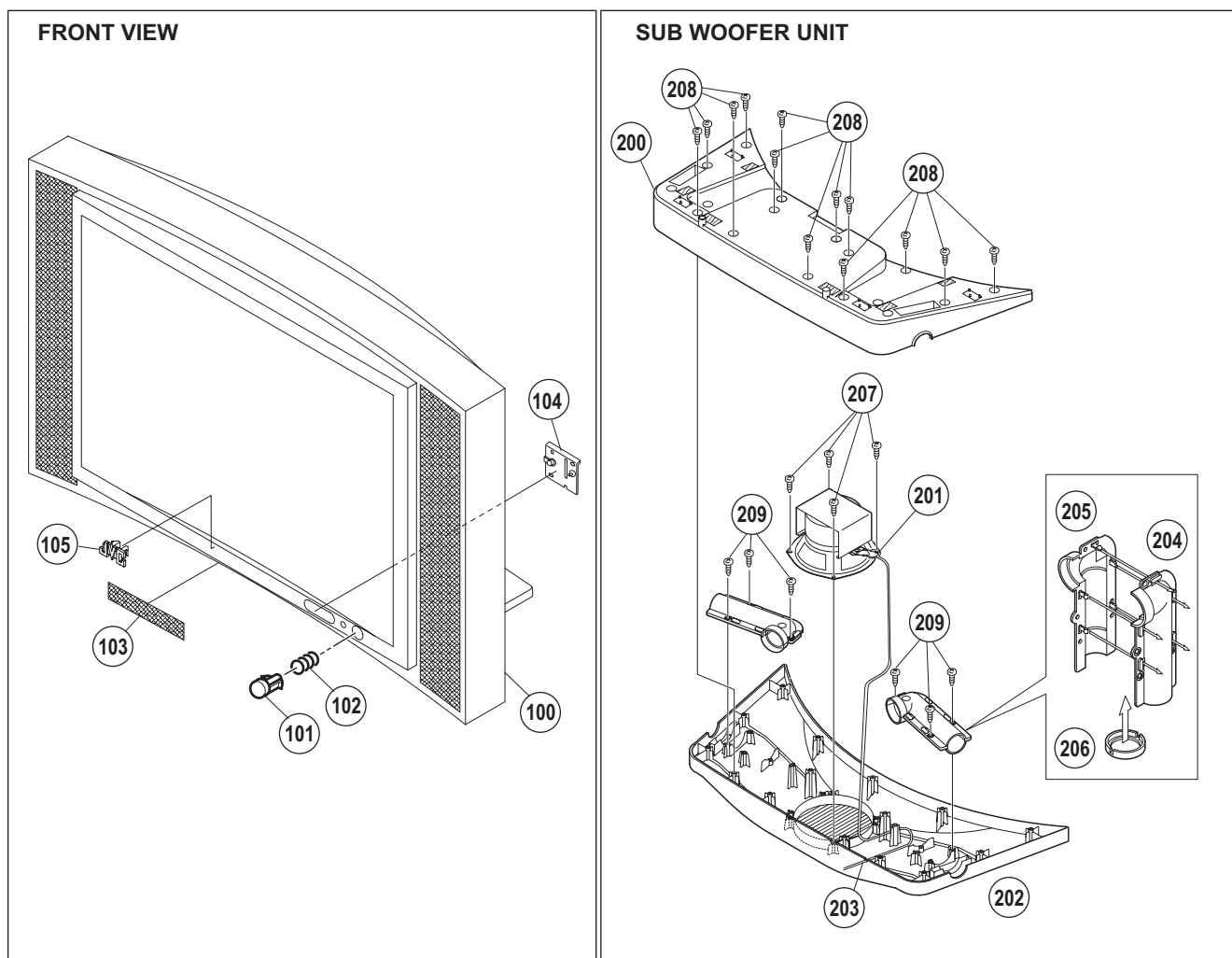
USING P.W. BOARD & REMOTE CONTROL UNIT

Model	HV-32D25EUW	HV-32D25EJW
PWB ASS'Y		
MAIN PWB	SMK-1001A-U2	←
POWER & DEF. PWB	SMK-2001A-U2	←
CRT SOCKET PWB	SMK-3001A-U2	←
FRONT CONTROL PWB	SMK-8001A-U2	←
SIDE CONTROL PWB	SMK-8101A-U2	←
LINE FILTER PWB	SMK-9001A-U2	←
DOLBY PWB	SMK-0D001A-U2	←
EHT PWB	SMK-0E001A-U2	←
DEF OSC PWB	SMK-0H001A-U2	←
MICOM PWB	SMK-0M001A-U2	←
AV SW PWB	SMK-0S001A-U2	←
DIST PWB	SMK-0Z001A-U2	←
REMOTE CONTROL UNIT	RM-C61-1C	RM-C62-1C

EXPLODED VIEW PARTS LIST -1

△ Ref.No.	Part No.	Part Name	Description	Local
100	LC11360-006A-U	FRONT CABINET ASSY	Include 101-103	
101	LC31201-003A-U	POWER KNOB		
102	AEM3149-001-E	SPRING		
103	LC21031-001C-U	SPEAKER PANEL		
104	LC31851-001B-C	WINDOW		
105	LC41250-002C-C	JVC MARK		
200	LC11309-001B-U	SP BOX B		
201	QAS0118-001	SPEAKER	SP04	
202	LC11308-001B-U	SP BOX T		
203	WJJ0340-002A	E-SI C WIRE C-C		
204	AEM2250-002A-U	BASS INT.DUCT L	(x2)	
205	AEM2250-001A-U	BASS INT.DUCT R	(x2)	
206	LC31935-001A-C	PORT SPACER	(x2)	
207	QYSBSAG4016N	TAP SCREW	4.0mm x 16mm(x4)	
208	QYSBSAG4016N	TAP SCREW	4.0mm x 16mm(x13)	
209	QYSBSAG4016N	TAP SCREW	4.0mm x 16mm(x6)	

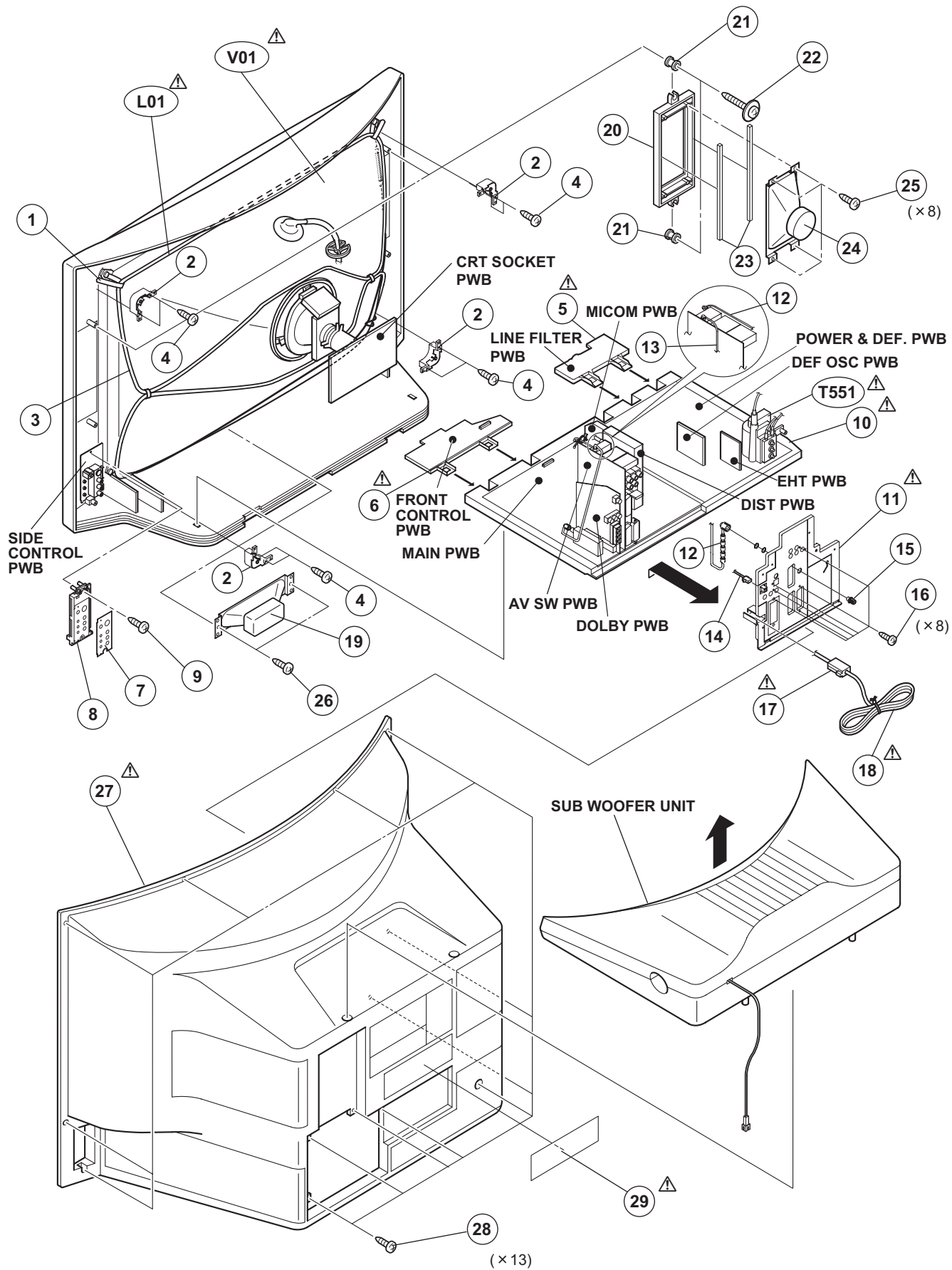
EXPLODED VIEW -1



EXPLODED VIEW PARTS LIST -2

△ Ref.No.	Part No.	Part Name	Description	Local
△ V01	S76LUV350X96	PICTURE TUBE (ITC)	Included DY, PC MAGNET, WEDGE	
△ L01	QQW0165-001	DEG COIL	Included ROTATION, N/S COIL	
△ T551	QQH0149-001	FB TRANSF		
1	WJY0013-003A	E-BRAIDED ASSY		
2	LC20508-001D-U	ADAPTER	(x4)	
3	WJY0001-010A	E-BRAIDED ASSY		
4	QYSBSAG4016N	TAP SCREW	(x8)	
△ 5	LC11498-001B-U	LF PCB BASE		
△ 6	LC11311-002A-U	CONTROL BASE		
7	LC31205-003A-U	CONTROL SHEET		
8	LC10856-002A-U	SIDE CONT BASE		
9	QYSBSAG4016N	TAP SCREW	4.0mm x 16mm	
△ 10	LC10716-004A-U	CHASSIS BASE		
△ 11	LC11499-001B-U	AV BOARD		
12	WJX0006-001A	E-COAXIAL ASSY		
13	WJX0005-002A	E-COAXIAL ASSY		
14	WJJ0339-002A	E-SI C WIRE C-C	WOOFER	
15	QNB0112-001	ANT TERMINAL		
16	QYSBSF3012M	TAP SCREW	3.0mm x 12mm(x8)	
△ 17	CM46618-A01-E	POWER CORD CLAMP		
△ 18	QMPK160-185-JC	POWER CORD(EU)	1.85m BLACK	EUW
△ 18	QMPN130-185-JC	POWER CORD(EK)	1.85m BLACK	EJW
19	QAS0110-001	SPEAKER	SP03	
20	LC11310-001B-U	SPEAKER ADAPTER	(x2)	
21	LC40226-003A-H	SPACER	(x4)	
22	LC40506-001A	TAP SCREW	(x4)	
23	AEM4111-001A-U	SPONGE	(x4)	
24	QAS0128-001	SPEAKER	SP01/SP02(x2)	
25	QYSBSAG4016N	TAP SCREW	4.0mm x 16mm(x8)	
26	QYSBSAG4016N	TAP SCREW	4.0mm x 16mm(x2)	
△ 27	LC11316-002B-U	REAR COVER		
28	QYSBSAG4016N	TAP SCREW	4.0mm x 16mm(x13)	
△ 29	LC11548-003A-U	RATING RABEL		EUW
△ 29	LC11364-018A-U	RATING LABEL		EJW

EXPLODED VIEW -2



PRINTED WIRING BOARD PARTS LIST

MAIN P.W. BOARD ASS'Y (SMK-1001A-U2)

△ Ref No.	Part No.	Part Name	Description	Local	△ Ref No.	Part No.	Part Name	Description	Local
IC101	AN15851A-W	IC			D422	MA111-X	SI DIODE		
IC201	TA1318N	IC	TV Component SYNC		D561	MA3068/M/-X	Z DIODE		
IC202	TC7W08F-X	IC			D562	MA111-X	SI DIODE		
IC301	AN5394FB	IC			D601	MA3330/L/-X	Z DIODE		
IC331	CXA1875AM-X	IC			D602	MA3330/L/-X	Z DIODE		
IC401	TC74HC02AF-X	SOP IC			D603	MA3330/L/-X	Z DIODE		
IC402	TC74HC14AF-X	IC			D604	MA111-X	SI DIODE		
IC551	LA6515	IC			D606	MA111-X	SI DIODE		
IC571	LA6515	IC			D607	MA111-X	SI DIODE		
IC601	AN7585	IC			D608	MA111-X	SI DIODE		
IC602	AN7585	IC			D609	MA111-X	SI DIODE		
IC701	AT24C-32D25EUW	IC	(SERVICE)		D610	MA111-X	SI DIODE		
IC703	R1141Q331B-X	IC			D611	MA3330/L/-X	Z DIODE		
IC706	JLC1562BF-X	IC			D612	MA3330/L/-X	Z DIODE		
IC707	JLC1562BF-X	IC			D613	MA3330/L/-X	Z DIODE		
IC901	PQ12RF1	IC			D614	MA111-X	SI DIODE		
IC902	SI-8090S	IC			D615	MA111-X	SI DIODE		
IC903	SI-8050S	IC	SW Regulator		D616	MA111-X	SI DIODE		
IC904	SI-8033S/F1	IC			D617	MA111-X	SI DIODE		
IC905	PQ070XH02Z-W	IC			D618	MA111-X	SI DIODE		
IC906	AN78L18-T	IC			D619	MA111-X	SI DIODE		
IC907	AN78L05-T	IC			D620	MA111-X	SI DIODE		
IC908	PQ15RW11	IC			D621	MA111-X	SI DIODE		
Q001	2SC2412K/QR/-X	TRANSISTOR			D622	MA111-X	SI DIODE		
Q101	2SC2412K/QR/-X	TRANSISTOR			D623	MA111-X	SI DIODE		
Q102	2SC2412K/QR/-X	TRANSISTOR			D624	MA111-X	SI DIODE		
Q103	2SC2412K/QR/-X	TRANSISTOR			D625	MA111-X	SI DIODE		
Q111	2SC2412K/QR/-X	TRANSISTOR			D626	MA111-X	SI DIODE		
Q112	2SC2412K/QR/-X	TRANSISTOR			D627	MA111-X	SI DIODE		
Q113	2SC2412K/QR/-X	TRANSISTOR			D629	MA111-X	SI DIODE		
Q351	2SA1037AK/QR/-X	TRANSISTOR			D771	MA3056/M/-X	Z DIODE		
Q352	2SC2412K/QR/-X	TRANSISTOR			D772	MA3056/M/-X	Z DIODE		
Q355	2SC2412K/QR/-X	TRANSISTOR			D773	MA3056/M/-X	Z DIODE		
Q356	2SC2412K/QR/-X	TRANSISTOR			D774	MA3056/M/-X	Z DIODE		
Q361	2SC3837K/NP/-X	TRANSISTOR			D901	1SR35-400A-T5	SI DIODE		
Q362	2SC3837K/NP/-X	TRANSISTOR			D902	RK34-LFC4	SB DIODE		
Q363	2SC3837K/NP/-X	TRANSISTOR			D903	SF5S4	SB DIODE		
Q364	2SC2412K/QR/-X	TRANSISTOR			D904	SF5S4	SB DIODE		
Q371	2SA1022/BC/-X	TRANSISTOR			D905	PTZ6.8B-X	Z DIODE		
Q372	2SC3837K/NP/-X	TRANSISTOR			D906	MA111-X	SI DIODE		
Q381	2SA1022/BC/-X	TRANSISTOR			D991	MA111-X	SI DIODE		
Q382	2SC3837K/NP/-X	TRANSISTOR			D992	MA111-X	SI DIODE		
Q391	2SA1022/BC/-X	TRANSISTOR			D993	MA111-X	SI DIODE		
Q392	2SC3837K/NP/-X	TRANSISTOR			D994	MA111-X	SI DIODE		
Q402	2SC3837K/NP/-X	TRANSISTOR			D995	MA111-X	SI DIODE		
Q403	2SC2412K/QR/-X	TRANSISTOR			D996	MA111-X	SI DIODE		
Q561	2SA1037AK/QR/-X	TRANSISTOR			C001	NCB31HK-222X	C CAPACITOR	2200pF 50V K	
Q562	2SC2412K/QR/-X	TRANSISTOR			C002	QETN1HM-106Z	E CAPACITOR	10uF 50V M	
Q563	2SA1037AK/QR/-X	TRANSISTOR			C004	NCB31CK-104X	C CAPACITOR	0.1uF 16V K	
Q571	2SA1037AK/QR/-X	TRANSISTOR			C005	QETN1AM-228Z	E CAPACITOR	2200uF 10V M	
Q572	2SC2412K/QR/-X	TRANSISTOR			C006	NCB31HK-103X	C CAPACITOR	0.01uF 50V K	
Q601	2SA1037AK/QR/-X	TRANSISTOR			C007	QETN1HM-106Z	E CAPACITOR	10uF 50V M	
Q602	DTC144EKA-X	DIGI TRANSISTOR			C008	NCB31CK-104X	C CAPACITOR	0.1uF 16V K	
Q603	DTC323TK-X	DIGI TRANSISTOR			C009	QETN1AM-108Z	E CAPACITOR	1000uF 10V M	
Q604	DTC144EKA-X	DIGI TRANSISTOR			C010	NCF31AZ-105X	C CAPACITOR	1uF 10V Z	
Q605	DTC144EKA-X	DIGI TRANSISTOR			C011	NCB31HK-103X	C CAPACITOR	0.01uF 50V K	
Q606	2SC2412K/QR/-X	TRANSISTOR			C012	NCB31HK-103X	C CAPACITOR	0.01uF 50V K	
Q608	DTC144EKA-X	DIGI TRANSISTOR			C013	QETN1HM-106Z	E CAPACITOR	10uF 50V M	
Q609	2SC2412K/QR/-X	TRANSISTOR			C014	NCB31HK-333X	C CAPACITOR	0.033uF 50V K	
Q611	2SA1037AK/QR/-X	TRANSISTOR			C101	NCB31HK-103X	C CAPACITOR	0.01uF 50V K	
Q612	DTC323TK-X	DIGI TRANSISTOR			C102	NCB31HK-103X	C CAPACITOR	0.01uF 50V K	
Q613	DTC323TK-X	DIGI TRANSISTOR			C103	NCB31HK-103X	C CAPACITOR	0.01uF 50V K	
Q614	DTC323TK-X	DIGI TRANSISTOR			C104	NCB31HK-103X	C CAPACITOR	0.01uF 50V K	
Q615	DTC144EKA-X	DIGI TRANSISTOR			C105	NCB31HK-103X	C CAPACITOR	0.01uF 50V K	
Q616	2SC2412K/QR/-X	TRANSISTOR			C106	QETN1HM-105Z	E CAPACITOR	1uF 50V M	
Q617	DTC144EKA-X	DIGI TRANSISTOR			C107	QETN1HM-105Z	E CAPACITOR	1uF 50V M	
Q618	2SC2412K/QR/-X	TRANSISTOR			C108	QETN1HM-105Z	E CAPACITOR	1uF 50V M	
Q620	2SA1037AK/QR/-X	TRANSISTOR			C109	NCB31HK-103X	C CAPACITOR	0.01uF 50V K	
Q623	DTC323TK-X	DIGI TRANSISTOR			C110	NCB31HK-103X	C CAPACITOR	0.01uF 50V K	
Q624	2SA1037AK/QR/-X	TRANSISTOR			C111	QETN1HM-105Z	E CAPACITOR	1uF 50V M	
D361	MA111-X	SI DIODE			C112	QETN1HM-105Z	E CAPACITOR	1uF 50V M	
D362	MA111-X	SI DIODE			C113	QETN1HM-105Z	E CAPACITOR	1uF 50V M	
D371	MA111-X	SI DIODE			C114	NCB31HK-103X	C CAPACITOR	0.01uF 50V K	
D372	MA111-X	SI DIODE			C115	NCB31HK-103X	C CAPACITOR	0.01uF 50V K	
D381	MA111-X	SI DIODE			C116	QETN1HM-105Z	E CAPACITOR	1uF 50V M	
D382	MA111-X	SI DIODE			C117	QETN1HM-105Z	E CAPACITOR	1uF 50V M	
D391	MA111-X	SI DIODE			C118	QETN1HM-105Z	E CAPACITOR	1uF 50V M	
D392	MA111-X	SI DIODE			C119	NCB31HK-103X	C CAPACITOR	0.01uF 50V K	
D401	MA8030/H/-X	Z DIODE			C120	NCB31HK-103X	C CAPACITOR	0.01uF 50V K	
D421	MA8150/M/-X	Z DIODE			C121	QETN1CM-107Z	E CAPACITOR	100uF 16V M	
					C122	NCB31HK-103X	C CAPACITOR	0.01uF 50V K	
					C123	QETN1CM-107Z	E CAPACITOR	100uF 16V M	
					C124	NCB31HK-103X	C CAPACITOR	0.01uF 50V K	

△ Ref No.	Part No.	Part Name	Description	Local
R721	NRSA63J-103X	MG RESISTOR	10kΩ 1/16W J	
R722	NRSA63J-102X	MG RESISTOR	1kΩ 1/16W J	
R723	NRSA63J-103X	MG RESISTOR	10kΩ 1/16W J	
R724	NRSA63J-102X	MG RESISTOR	1kΩ 1/16W J	
R725	NRSA63J-103X	MG RESISTOR	10kΩ 1/16W J	
R726	NRSA63J-102X	MG RESISTOR	1kΩ 1/16W J	
R727	NRSA63J-332X	MG RESISTOR	3.3kΩ 1/16W J	
R728	NRSA63J-0R0X	MG RESISTOR	0Ω 1/16W J	
R729	NRSA63J-103X	MG RESISTOR	10kΩ 1/16W J	
R730	NRSA63J-102X	MG RESISTOR	1kΩ 1/16W J	
R731	NRSA63J-101X	MG RESISTOR	100Ω 1/16W J	
R732	NRSA63J-101X	MG RESISTOR	100Ω 1/16W J	
R735	NRSA63J-103X	MG RESISTOR	10kΩ 1/16W J	
R736	NRSA63J-102X	MG RESISTOR	1kΩ 1/16W J	
R737	NRSA63J-103X	MG RESISTOR	10kΩ 1/16W J	
R738	NRSA63J-102X	MG RESISTOR	1kΩ 1/16W J	
R739	NRSA63J-103X	MG RESISTOR	10kΩ 1/16W J	
R740	NRSA63J-103X	MG RESISTOR	10kΩ 1/16W J	
R741	NRSA63J-102X	MG RESISTOR	1kΩ 1/16W J	
R742	NRSA63J-102X	MG RESISTOR	1kΩ 1/16W J	
R743	NRSA63J-102X	MG RESISTOR	1kΩ 1/16W J	
R744	NRSA63J-0R0X	MG RESISTOR	0Ω 1/16W J	
R745	NRSA63J-102X	MG RESISTOR	1kΩ 1/16W J	
R746	NRSA63J-0R0X	MG RESISTOR	0Ω 1/16W J	
R747	NRSA63J-103X	MG RESISTOR	10kΩ 1/16W J	
R748	NRSA63J-102X	MG RESISTOR	1kΩ 1/16W J	
R749	NRSA63J-103X	MG RESISTOR	10kΩ 1/16W J	
R751	NRSA63J-102X	MG RESISTOR	1kΩ 1/16W J	
R752	NRSA63J-101X	MG RESISTOR	100Ω 1/16W J	
R753	NRSA63J-101X	MG RESISTOR	100Ω 1/16W J	
R772	NRSA63J-221X	MG RESISTOR	220Ω 1/16W J	
R773	NRSA63J-221X	MG RESISTOR	220Ω 1/16W J	
R774	NRSA63J-221X	MG RESISTOR	220Ω 1/16W J	
R775	NRSA63J-221X	MG RESISTOR	220Ω 1/16W J	
R776	NRSA63J-221X	MG RESISTOR	220Ω 1/16W J	
R901	NRSA63J-0R0X	MG RESISTOR	0Ω 1/16W J	
R902	QRK126J-5R6X	UNF C RESISTOR	5.6Ω 1/2W J	
R903	NRSA63J-152X	MG RESISTOR	1.5kΩ 1/16W J	
R904	NRSA63J-152X	MG RESISTOR	1.5kΩ 1/16W J	
R906	NRSA63J-152X	MG RESISTOR	1.5kΩ 1/16W J	
R907	QRK126J-220X	UNF C RESISTOR	22Ω 1/2W J	
R908	NRSA63J-102X	MG RESISTOR	1kΩ 1/16W J	
R910	NRSA63J-102X	MG RESISTOR	1kΩ 1/16W J	
R911	QRK126J-5R6X	UNF C RESISTOR	5.6Ω 1/2W J	
R912	NRSA63J-102X	MG RESISTOR	1kΩ 1/16W J	
R914	NRSA63J-102X	MG RESISTOR	1kΩ 1/16W J	
R915	NRSA63J-0R0X	MG RESISTOR	0Ω 1/16W J	
R916	NRSA63D-222X	MG RESISTOR	2.2kΩ 1/16W D	
R917	NRSA63D-222X	MG RESISTOR	2.2kΩ 1/16W D	
R918	NRSA63J-183X	MG RESISTOR	18kΩ 1/16W J	
R920	NRSA63D-152X	MG RESISTOR	1.5kΩ 1/16W D	
R921	NRSA63D-471X	MG RESISTOR	470Ω 1/16W D	
R922	NRSA63J-273X	MG RESISTOR	27kΩ 1/16W J	
L001	QQL244K-270Z	COIL	27uH K	
L002	QQL244K-100Z	COIL	10uH K	
L003	QQL244K-100Z	COIL	10uH K	
L201	QRN143J-0R0X	C RESISTOR	0Ω 1/4W J	
L431	QRN143J-0R0X	C RESISTOR	0Ω 1/4W J	
L432	QQL26AK-100Z	COIL	10uH K	
L433	QQL26AK-100Z	COIL	10uH K	
L902	QQR1129-003	CHOKO COIL		
L903	QQL50AK-330Z	COIL	33uH K	
L905	QQR1127-003	CHOKO COIL		
L906	QQL26AK-220Z	COIL	22uH K	
L907	QQL26AK-820Z	COIL	82uH K	
L908	QQR1127-003	CHOKO COIL		
L909	QQL50AK-100Z	COIL	10uH K	
CN001	QGB1506L1-16	CONNECTOR	B-B (1-16)	
CN002	QGB1506L1-16	CONNECTOR	B-B (1-16)	
CN003	QGB1506L1-16	CONNECTOR	B-B (1-16)	
CN004	QGB1232J1-50	CONNECTOR	B-B (1-50)	
CN005	QGC2507C1-96	CONNECTOR	(1-96)	
CN006	QGB1505J1-25	CONNECTOR	B-B (1-25)	
CN007	QGB1505J1-35	CONNECTOR	B-B (1-35)	
CN008	QGB1505J1-25	CONNECTOR	B-B (1-25)	
CN018	QGB1505J1-25	CONNECTOR	B-B (1-25)	
K901	QRN143J-0R0X	C RESISTOR	0Ω 1/4W J	
K902	CE42050-001Z	BEADS CORE		
K903	QRN143J-0R0X	C RESISTOR	0Ω 1/4W J	
K904	CE42050-001Z	BEADS CORE		
TU001	QAU0270-001	TUNER		
X201	CSB503F30	C RESONATOR		

POWER & DEF P.W. BOARD ASS'Y (SMK-2001A-U2)

△ Ref No.	Part No.	Part Name	Description	Local
IC401	LA7876NZ	IC		
IC901	STR-F6668B-F7	IC		
IC951	SE-B3-LF12	IC		
Q401	2SC1740S/QR/-T	TRANSISTOR		
Q402	2SC1740S/QR/-T	TRANSISTOR		
Q461	2SC1959/Y/-T	TRANSISTOR		
Q462	2SA562TM/Y/-T	TRANSISTOR		
Q463	2SK2417	POWER MOS FET		
Q464	2SC1740S/QR/-T	TRANSISTOR		
Q501	2SC1740S/QR/-T	TRANSISTOR		
Q502	2SC1627A/Y/-T	TRANSISTOR		
Q521	2SB953/QP/LB	POW TRANSISTOR		
△ Q522	2SC5904-RL	POW TRANSISTOR		
Q523	2SC1740S/QR/-T	TRANSISTOR		
Q551	2SK2771-01R-F1	POWER MOS FET		
Q553	2SC1959/Y/-T	TRANSISTOR		
Q554	2SA562TM/Y/-T	TRANSISTOR		
Q941	2SC1740S/QR/-T	TRANSISTOR		
Q942	2SA933AS/QR/-T	TRANSISTOR		
Q943	2SC1740S/QR/-T	TRANSISTOR		
Q951	2SA1371/EF/Z1-T	SI TRANSISTOR		
Q952	2SC1740S/QR/-T	TRANSISTOR		
Q953	2SC1627A/Y/-T	TRANSISTOR		
Q954	DTC124ESA-T	DIGI TRANSISTOR		
D401	RD100E/B/-T2	Z DIODE		
D402	1SR35-400A-T2	SI DIODE		
D403	1SR35-400A-T2	SI DIODE		
D404	1SS133-T2	SI DIODE		
D405	1SS133-T2	SI DIODE		
D406	MTZJ9.1B-T2	Z DIODE		
D407	MTZJ6.8C-T2	Z DIODE		
D461	EU2A-T3	SI DIODE		
D501	1SS133-T2	SI DIODE		
D521	RK14-T3	SB DIODE		
D522	V11CA-C1	SI DIODE		
D523	FMV-3FU-F1	SI DIODE		
D524	RG2A-LFC4	SI DIODE		
D525	1SS81-T5	SI DIODE		
D526	MTZJ12C-T2	Z DIODE		
D527	MTZJ15B-T2	Z DIODE		
D528	MTZJ15B-T2	Z DIODE		
D550	RU4DS-F1	SI DIODE		
D551	1SR124-400A-T2	SI DIODE		
D555	RU1P-T3	SI DIODE		
D556	1SR35-400A-T2	SI DIODE		
D557	MTZJ9.1B-T2	Z DIODE		
D701	RH1S-T3	SI DIODE		
D702	RGP10J-5025-T3	SI DIODE		
D703	RGP10J-5025-T3	SI DIODE		
D901	D3SB60	BRIDGE DIODE		
D902	RG1C-LFA1	SI DIODE		
D904	EU2A-T2	SI DIODE		
D905	EU2A-T2	SI DIODE		
D906	MTZJ27B-T2	Z DIODE		
D907	1SS133-T2	SI DIODE		
D908	MTZJ15B-T2	Z DIODE		
D911	1SS133-T2	SI DIODE		
D942	1SS133-T2	SI DIODE		
D944	1SS133-T2	SI DIODE		
D951	RU4B-F1	SI DIODE		
D952	RU4B-F1	SI DIODE		
D953	EU2-T3	SI DIODE		
D954	FMX-G12S	SI DIODE		
D955	RU3YX-LFC4	SI DIODE		
D956	FMX-G12S	SI DIODE		
D957	RU3YX-LFC4	SI DIODE		
D958	1SS133-T2	SI DIODE		
D959	MTZJ33B-T2	Z DIODE		
D960	MTZJ15B-T2	Z DIODE		
D961	1SS133-T2	SI DIODE		
D962	1SS133-T2	SI DIODE		
D963	1SS133-T2	SI DIODE		
D964	MTZJ5.1B-T2	Z DIODE		
D965	1SS133-T2	SI DIODE		
D966	1SS133-T2	SI DIODE		
D968	1SS133-T2	SI DIODE		
D969	1SS133-T2	SI DIODE		
C401	QENC1EM-106Z	BP E CAPACITOR	10uF 25V M	
C402	QFLC1HJ-392Z	M CAPACITOR	3900pF 50V J	
C403	QCS32HJ-180Z	C CAPACITOR	18pF 500V J	
C404	QFVF1HJ-104Z	MF CAPACITOR	0.1uF 50V J	
C406	QETN1VM-108Z	E CAPACITOR	1000uF 35V M	

HV-32D25EUW
HV-32D25EJW

△ Ref No.	Part No.	Part Name	Description	Local
R3312	NRSA63J-221X	MG RESISTOR	220Ω 1/16W J	
R3313	NRSA63J-0R0X	MG RESISTOR	0Ω 1/16W J	
R3701	NRSA63J-101X	MG RESISTOR	100Ω 1/16W J	
R3702	NRSA63J-273X	MG RESISTOR	27kΩ 1/16W J	
R3703	NRSA63J-332X	MG RESISTOR	3.3kΩ 1/16W J	
R3704	NRSA63J-332X	MG RESISTOR	3.3kΩ 1/16W J	
R3705	NRSA63J-391X	MG RESISTOR	390Ω 1/16W J	
R3706	NRSA63J-471X	MG RESISTOR	470Ω 1/16W J	
R3707	NRSA63J-392X	MG RESISTOR	3.9kΩ 1/16W J	
R3710	QRJ146J-182X	UNF C RESISTOR	1.8kΩ 1/4W J	
R3711	QRE121J-473Y	C RESISTOR	47kΩ 1/2W J	
R3712	QRE121J-473Y	C RESISTOR	47kΩ 1/2W J	
△ R3713	QRJ146J-681X	UNF C RESISTOR	680Ω 1/4W J	
R3714	QRJ146J-470X	UNF C RESISTOR	47Ω 1/4W J	
R3715	QRJ146J-470X	UNF C RESISTOR	47Ω 1/4W J	
R3716	QRT029J-8R2	MF RESISTOR	8.2Ω 2W J	
R3719	QRG01GJ-180	OMF RESISTOR	18Ω 1W J	
R3720	QRL039J-220	OMF RESISTOR	22Ω 3W J	
R3721	QRL039J-220	OMF RESISTOR	22Ω 3W J	
R3722	QRL039J-100	OMF RESISTOR	10Ω 3W J	
R3723	QRL039J-220	OMF RESISTOR	22Ω 3W J	
R3724	NRSA63J-101X	MG RESISTOR	100Ω 1/16W J	
R3725	QRL039J-220	OMF RESISTOR	22Ω 3W J	

L3001	QQL26AJ-102Z	COIL	1mH J	
L3002	QQL26AJ-102Z	COIL	1mH J	
L3003	QQL26AJ-102Z	COIL	1mH J	
L3004	QQL26AJ-102Z	COIL	1mH J	
L3011	QQR0621-002Z	FERRITE BEADS		
L3012	QQR0621-002Z	FERRITE BEADS		
L3101	QQL244K-3R3Z	COIL	3.3uH K	
L3201	QQL244K-3R3Z	COIL	3.3uH K	
L3301	QQL244K-3R3Z	COIL	3.3uH K	

△ FR3101	QRZ9009-101	FUSI RESISTOR	100Ω 1/2W J	
△ FR3201	QRZ9009-101	FUSI RESISTOR	100Ω 1/2W J	
△ FR3301	QRZ9009-101	FUSI RESISTOR	100Ω 1/2W J	
K3701	CE41492-001Z	CHOKO COIL		
K3702	CE42050-001Z	BEADS CORE		
SG3101	QAF0056-501Z	SURGE ABSORBER	500V M	
SG3201	QAF0056-501Z	SURGE ABSORBER	500V M	
SG3301	QAF0056-501Z	SURGE ABSORBER	500V M	
△ SK3001	QNZ0464-001	CRT SOCKET		

FRONT CONTROL P.W. BOARD ASS'Y(SMK-8001A-U2)

△ Ref No.	Part No.	Part Name	Description	Local
IC8851	GP1U281Q	IR DETECT UNIT	38kHz	
Q8801	DTA124EKA-X	DIGI TRANSISTOR		
Q8802	DTA124EKA-X	DIGI TRANSISTOR		
Q8803	DTC124EKA-X	DIGI TRANSISTOR		
D8801	SPR-39MVWF	LED	POWER(RED-GREEN)	
D8811	MA111-X	SI DIODE		
D8851	MA3068/M-X	Z DIODE		
C8851	NCB31CK-104X	C CAPACITOR	0.1uF 16V K	
C8852	QETN1CM-107Z	E CAPACITOR	100uF 16V M	
△ C8901	QFZ9075-474	MPP CAPACITOR	0.47uF	
R8801	NRSA63J-221X	MG RESISTOR	220Ω 1/16W J	
R8802	NRSA63J-331X	MG RESISTOR	330Ω 1/16W J	
R8851	NRSA63J-102X	MG RESISTOR	1kΩ 1/16W J	
△ F8901	QMF51D2-3R15J1	FUSE	3.15A AC250V	
△ LF8901	QQR1095-001	LINE FILTER		
△ S8901	QSW0824-001	PUSH SWITCH	MAIN POWER	
FC8901	CEMG002-001Z	FUSE CLIP		
FC8902	CEMG002-001Z	FUSE CLIP		
OT0001	LC30349-001A-H	LED HOLDER		

SIDE CONTROL P.W. BOARD ASS'Y (SMK-8101A-U2)

△ Ref No.	Part No.	Part Name	Description	Local
D8001	MA3039/H-X	Z DIODE		
C8001	NCB31HK-103X	C CAPACITOR	0.01uF 50V K	
C8002	NCB31HK-103X	C CAPACITOR	0.01uF 50V K	
C8003	NCB31HK-102X	C CAPACITOR	1000pF 50V K	
C8310	NCB31HK-472X	C CAPACITOR	4700pF 50V K	

△ Ref No.	Part No.	Part Name	Description	Local
C8311	NCB31HK-472X	C CAPACITOR	4700pF 50V K	
C8321	NCB31CK-104X	C CAPACITOR	0.1uF 16V K	
R8001	QRE121J-101Y	C RESISTOR	100Ω 1/2W J	
R8002	QRE121J-101Y	C RESISTOR	100Ω 1/2W J	
R8010	NRSA63J-103X	MG RESISTOR	10kΩ 1/16W J	
R8011	NRSA63J-103X	MG RESISTOR	10kΩ 1/16W J	
R8012	NRSA63J-103X	MG RESISTOR	10kΩ 1/16W J	
R8021	NRSA63J-102X	MG RESISTOR	1kΩ 1/16W J	
R8022	NRSA63J-102X	MG RESISTOR	1kΩ 1/16W J	
L8001	QQR0716-001Z	FERRITE BEADS		
L8002	QQL244K-5R6Z	COIL	5.6uH K	
L8003	QQL244K-5R6Z	COIL	5.6uH K	
L8310	QQL244K-270Z	COIL	27uH K	
L8311	QQL244K-270Z	COIL	27uH K	
L8312	QQR0716-001Z	FERRITE BEADS		
J8001	QMS3001-C01	3.5 JACK	HEADPHONE	
J8303	QNZ0438-001	AV JACK	EXT-4	
S8001	QSW0619-003Z	TACT SWITCH	CH UP	
S8002	QSW0619-003Z	TACT SWITCH	MENU	
S8003	QSW0619-003Z	TACT SWITCH	CH DOWN	

LINE FILTER P.W. BOARD ASS'Y (SMK-9001A-U2)

△ Ref No.	Part No.	Part Name	Description	Local
△ IC9931	QAL0425-001	POWER MODULE		
IC9932	MM1565AF-X	IC	5.0V Regulator	
D9931	S1WB/A/60-4101	BRIDGE DIODE		
D9941	MA111-X	SI DIODE		
△ C9901	QFZ9075-104	MPP CAPACITOR	0.1uF	
△ C9902	QFZ9075-473	MPP CAPACITOR	0.047uF	
△ C9931	QCZ9054-472	C CAPACITOR	4700pF	
△ C9932	QCZ9054-472	C CAPACITOR	4700pF	
△ C9933	QCZ9054-472	C CAPACITOR	4700pF	
C9934	QETM2GM-226	E CAPACITOR	22uF 400V M	
C9941	QTMN1CM-477Z	E CAPACITOR	470uF 16V M	
C9942	QETN1AM-337Z	E CAPACITOR	330uF 10V M	
C9943	NCB11CK-225X	C CAPACITOR	2.2uF 16V K	
C9944	NCB11CK-225X	C CAPACITOR	2.2uF 16V K	
C9945	NCB11CK-225X	C CAPACITOR	2.2uF 16V K	
△ C9991	QCZ9079-471	C CAPACITOR	470pF AC250V K	
R9931	QRZ0216-4R7	UNF WW RESISTOR	4.7Ω	
R9941	QRE121J-1R0Y	C RESISTOR	1Ω 1/2W J	
R9942	QRE121J-1R5Y	C RESISTOR	1.5Ω 1/2W J	
R9943	QRE121J-1R8Y	C RESISTOR	1.8Ω 1/2W J	
L9941	QQL26AM-4R7Z	COIL	4.7uH M	
△ LF9901	QQR1095-003	LINE FILTER		

DOLBY P.W. BOARD ASS'Y (SMK-0D001A-U2)

△ Ref No.	Part No.	Part Name	Description	Local
IC101	TC9446F-014	IC		
IC102	TC4066BF/N-XE	IC		
IC105	AK4527BVQP	IC		
IC107	TA48M033F-X	IC	3.3V Regulator	
IC108	TC7SET32F-X	IC(DIGITAL)		
IC109	UPD784216AGC180	IC(MCU)		
IC110	S-80828CNB-W	IC		
IC111	TA48M033F-X	IC	3.3V Regulator	
IC112	IS63LV1024-15T	IC		
IC113	TC7WHU04FU-X	IC	INVERTER	
IC201	BA4558F-X	IC		
IC202	BA4558F-X	IC		
IC203	BA4558F-X	IC		
IC301	BA4558F-X	IC		
IC302	BA4558F-X	IC		
IC303	BA4558F-X	IC		
IC401	TC4066BF/N-XE	IC		
IC402	NJM5532M-D-XE	IC		
IC403	NJM5532M-D-XE	IC		
IC404	BA4558F-X	IC		
IC601	BD3869AF-X	IC		
IC631	BD3869AF-X	IC		
IC651	BD3869AF-X	IC		

△ Ref No.	Part No.	Part Name	Description	Local
R101	NRSA63J-101X	MG RESISTOR	100Ω 1/16W J	
R102	NRSA63J-101X	MG RESISTOR	100Ω 1/16W J	
R103	NRSA63J-103X	MG RESISTOR	10kΩ 1/16W J	
R104	NRSA63J-103X	MG RESISTOR	10kΩ 1/16W J	
R105	NRSA63J-103X	MG RESISTOR	10kΩ 1/16W J	
R106	NRSA63J-103X	MG RESISTOR	10kΩ 1/16W J	
R107	NRSA63J-102X	MG RESISTOR	1kΩ 1/16W J	
R108	NRSA63J-0R0X	MG RESISTOR	0Ω 1/16W J	
R109	NRSA63J-0R0X	MG RESISTOR	0Ω 1/16W J	
R110	NRSA63J-102X	MG RESISTOR	1kΩ 1/16W J	
R111	NRSA63J-103X	MG RESISTOR	10kΩ 1/16W J	
R112	NRSA63J-102X	MG RESISTOR	1kΩ 1/16W J	
R113	NRSA63J-103X	MG RESISTOR	10kΩ 1/16W J	
R114	NRSA63J-103X	MG RESISTOR	10kΩ 1/16W J	
R117	NRSA63J-472X	MG RESISTOR	4.7kΩ 1/16W J	
R119	NRSA63J-822X	MG RESISTOR	8.2kΩ 1/16W J	
R120	NRSA63J-332X	MG RESISTOR	3.3kΩ 1/16W J	
R121	NRSA63J-182X	MG RESISTOR	1.8kΩ 1/16W J	
R122	NRSA63J-103X	MG RESISTOR	10kΩ 1/16W J	
R123	NRSA63J-682X	MG RESISTOR	6.8kΩ 1/16W J	
R124	NRSA63J-101X	MG RESISTOR	100Ω 1/16W J	
R125	NRSA63J-103X	MG RESISTOR	10kΩ 1/16W J	
R126	NRSA63J-472X	MG RESISTOR	4.7kΩ 1/16W J	
R127	NRSA63J-103X	MG RESISTOR	10kΩ 1/16W J	
R128	NRSA63J-103X	MG RESISTOR	10kΩ 1/16W J	
R129	NRSA63J-823X	MG RESISTOR	82kΩ 1/16W J	
R130	NRSA63J-104X	MG RESISTOR	100kΩ 1/16W J	
R131	NRSA63J-823X	MG RESISTOR	82kΩ 1/16W J	
R132	NRSA63J-104X	MG RESISTOR	100kΩ 1/16W J	
R133	NRSA63J-0R0X	MG RESISTOR	0Ω 1/16W J	
R135	NRSA63J-102X	MG RESISTOR	1kΩ 1/16W J	
R136	NRSA63J-103X	MG RESISTOR	10kΩ 1/16W J	
R137	NRSA63J-222X	MG RESISTOR	2.2kΩ 1/16W J	
R138	NRSA63J-222X	MG RESISTOR	2.2kΩ 1/16W J	
R139	NRSA63J-222X	MG RESISTOR	2.2kΩ 1/16W J	
R144	NRSA63J-103X	MG RESISTOR	10kΩ 1/16W J	
R147	NRSA63J-472X	MG RESISTOR	4.7kΩ 1/16W J	
R148	NRSA63J-472X	MG RESISTOR	4.7kΩ 1/16W J	
R149	NRSA63J-472X	MG RESISTOR	4.7kΩ 1/16W J	
R151	NRSA63J-183X	MG RESISTOR	18kΩ 1/16W J	
R152	NRSA63J-331X	MG RESISTOR	330Ω 1/16W J	
R153	NRSA63J-331X	MG RESISTOR	330Ω 1/16W J	
R154	NRSA63J-331X	MG RESISTOR	330Ω 1/16W J	
R155	NRSA63J-101X	MG RESISTOR	100Ω 1/16W J	
R156	NRSA63J-101X	MG RESISTOR	100Ω 1/16W J	
R158	NRSA63J-221X	MG RESISTOR	220Ω 1/16W J	
R160	NRSA63J-222X	MG RESISTOR	2.2kΩ 1/16W J	
R161	NRSA63J-222X	MG RESISTOR	2.2kΩ 1/16W J	
R166	NRSA63J-223X	MG RESISTOR	22kΩ 1/16W J	
R167	NRSA63J-103X	MG RESISTOR	10kΩ 1/16W J	
R180	NRSA63J-681X	MG RESISTOR	680Ω 1/16W J	
R181	NRSA63J-821X	MG RESISTOR	820Ω 1/16W J	
R182	NRSA63J-681X	MG RESISTOR	680Ω 1/16W J	
L001	NQL092K-4R7X	P COIL	4.7uH K	
L003	NQL092K-4R7X	P COIL	4.7uH K	
L005	NQL092K-4R7X	P COIL	4.7uH K	
L006	NQL092K-4R7X	P COIL	4.7uH K	
L007	NQL092K-4R7X	P COIL	4.7uH K	
L008	NQL092K-4R7X	P COIL	4.7uH K	
L009	NQL034K-4R7X	COIL	4.7uH K	
L010	NQL092K-4R7X	P COIL	4.7uH K	
L011	NQL092K-4R7X	P COIL	4.7uH K	
L012	NQL092K-4R7X	P COIL	4.7uH K	
L013	NQL092K-4R7X	P COIL	4.7uH K	
L014	NQL092K-4R7X	P COIL	4.7uH K	
L015	NQL034K-4R7X	COIL	4.7uH K	
L016	NQL034K-4R7X	COIL	4.7uH K	
L017	NQL092K-1R5X	P COIL	1.5uH K	
L018	NQL092K-1R5X	P COIL	1.5uH K	
L019	NQL092K-1R5X	P COIL	1.5uH K	
L020	NQL092K-1R5X	P COIL	1.5uH K	
L021	NQL092K-1R5X	P COIL	1.5uH K	
L022	NQL092K-1R5X	P COIL	1.5uH K	
CN004	QGB1232K1-50T	CONNECTOR	B-B (1-50)	
K001	NRSA63J-390X	MG RESISTOR	39Ω 1/16W J	
K002	NQR0389-003X	FERRITE BEADS		
K003	NRSA63J-0R0X	MG RESISTOR	0Ω 1/16W J	
K004	NQR0389-003X	FERRITE BEADS		
LC001	NQR0313-007X	EMI FILTER		
LC002	NQR0431-001X	EMI FILTER		
X001	QAX0669-001Z	CRYSTAL	6.000MHz	

AV SW P.W. BOARD ASS'Y (SMK-0S001A-U2)

△ Ref No.	Part No.	Part Name	Description	Local
IC101	CXA2069Q	IC	AV SW (I2C)	
IC501	MSP3415DQGB3GHX	IC		
IC662	BA4558F-X	IC		
IC901	AN77L08-T	IC		
Q101	2SC2412K/QR/-X	TRANSISTOR		
Q102	2SC2412K/QR/-X	TRANSISTOR		
Q103	2SA1037AK/QR/-X	TRANSISTOR		
Q104	DTC323TK-X	DIGI TRANSISTOR		
Q105	DTC323TK-X	DIGI TRANSISTOR		
Q106	2SC1740S/QR/-T	TRANSISTOR		
Q131	2SA933AS/QR/-T	TRANSISTOR		
Q136	DTC323TK-X	DIGI TRANSISTOR		
Q137	DTC323TK-X	DIGI TRANSISTOR		
Q138	2SA1037AK/QR/-X	TRANSISTOR		
Q201	2SC2412K/QR/-X	TRANSISTOR		
Q202	2SC2412K/QR/-X	TRANSISTOR		
Q211	2SC2412K/QR/-X	TRANSISTOR		
Q212	2SC2412K/QR/-X	TRANSISTOR		
Q221	2SC2412K/QR/-X	TRANSISTOR		
Q222	2SC2412K/QR/-X	TRANSISTOR		
Q231	2SC2412K/QR/-X	TRANSISTOR		
Q232	2SC2412K/QR/-X	TRANSISTOR		
Q301	2SC2412K/QR/-X	TRANSISTOR		
Q311	2SC2412K/QR/-X	TRANSISTOR		
Q321	2SC2412K/QR/-X	TRANSISTOR		
Q502	2SC2412K/QR/-X	TRANSISTOR		
Q503	DTC144EKA-X	DIGI TRANSISTOR		
Q601	DTC323TK-X	DIGI TRANSISTOR		
Q602	DTC323TK-X	DIGI TRANSISTOR		
Q603	2SA1037AK/QR/-X	TRANSISTOR		
D101	MA3056/M/-X	Z DIODE		
D102	MA3056/M/-X	Z DIODE		
D103	MA3056/M/-X	Z DIODE		
D104	MA3056/M/-X	Z DIODE		
D111	MA3056/M/-X	Z DIODE		
D112	MA3056/M/-X	Z DIODE		
D113	MA3056/M/-X	Z DIODE		
D114	MA3039/H/-X	Z DIODE		
D131	MA3120/M/-X	Z DIODE		
D161	MA3120/M/-X	Z DIODE		
D162	MA3120/M/-X	Z DIODE		
D163	MA3120/M/-X	Z DIODE		
D164	MA3120/M/-X	Z DIODE		
D681	MA3150/M/-X	Z DIODE		
D682	MA3150/M/-X	Z DIODE		
C001	NCB31HK-222X	C CAPACITOR	2200pF 50V K	
C002	QETN1HM-106Z	E CAPACITOR	10uF 50V M	
C003	NCB31CK-104X	C CAPACITOR	0.1uF 16V K	
C004	QETN1CM-108Z	E CAPACITOR	1000uF 16V M	
C005	NCB31HK-103X	C CAPACITOR	0.01uF 50V K	
C006	QETN1HM-106Z	E CAPACITOR	10uF 50V M	
C008	NCB31CK-104X	C CAPACITOR	0.1uF 16V K	
C009	QETN1HM-106Z	E CAPACITOR	10uF 50V M	
C010	NCB31HK-103X	C CAPACITOR	0.01uF 50V K	
C011	QETN1CM-476Z	E CAPACITOR	47uF 16V M	
C012	NCB31HK-104X	C CAPACITOR	0.1uF 50V K	
C101	NCB31HK-472X	C CAPACITOR	4700pF 50V K	
C102	NCB31HK-472X	C CAPACITOR	4700pF 50V K	
C103	NCB31HK-472X	C CAPACITOR	4700pF 50V K	
C104	NCB31HK-472X	C CAPACITOR	4700pF 50V K	
C105	QETN1CM-477Z	E CAPACITOR	470uF 16V M	
C106	NCB31HK-152X	C CAPACITOR	1500pF 50V K	
C107	NCB31HK-152X	C CAPACITOR	1500pF 50V K	
C111	NCB31HK-472X	C CAPACITOR	4700pF 50V K	
C112	NCB31HK-472X	C CAPACITOR	4700pF 50V K	
C113	NCB31HK-472X	C CAPACITOR	4700pF 50V K	
C114	NCB31HK-472X	C CAPACITOR	4700pF 50V K	
C115	QETN1CM-477Z	E CAPACITOR	470uF 16V M	
C116	NCB31HK-152X	C CAPACITOR	1500pF 50V K	
C117	NCB31HK-152X	C CAPACITOR	1500pF 50V K	
C122	NCB31HK-472X	C CAPACITOR	4700pF 50V K	
C124	NCB31HK-472X	C CAPACITOR	4700pF 50V K	
C125	QETN1HK-102X	C CAPACITOR	1000pF 50V K	
C131	QETN1CM-107Z	E CAPACITOR	100uF 16V M	
C132	QETN1HM-106Z	E CAPACITOR	10uF 50V M	
C133	QETN1HM-106Z	E CAPACITOR	10uF 50V M	
C141	QETN1HM-106Z	E CAPACITOR	10uF 50V M	
C142	QETN1HM-105Z	E CAPACITOR	1uF 50V M	
C143	NCB31HK-103X	C CAPACITOR	0.01uF 50V K	
C144	QETN1HM-105Z	E CAPACITOR	1uF 50V M	
C145	NCB31HK-103X	C CAPACITOR	0.01uF 50V K	
C146	QETN1HM-106Z	E CAPACITOR	10uF 50V M	

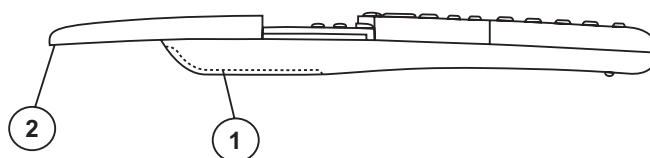
△ Ref No.	Part No.	Part Name	Description	Local	△ Ref No.	Part No.	Part Name	Description	Local
QB011	2SA1037AK/QR/-X	TRANSISTOR			C782	NEH70JM-107X	E CAPACITOR	100uF 6.3V M	
QB012	2SC2412K/QR/-X	TRANSISTOR			C783	NEH70JM-107X	E CAPACITOR	100uF 6.3V M	
QB020	2SK1374-X	MOS FET			C784	NEH70JM-107X	E CAPACITOR	100uF 6.3V M	
QB021	2SK1374-X	MOS FET			C785	NEH70JM-107X	E CAPACITOR	100uF 6.3V M	
QB101	2SC3837K/NP/-X	TRANSISTOR			C786	NEH71CM-106X	E CAPACITOR	10uF 16V M	
QB102	2SA1022/BC/-X	TRANSISTOR			C787	NCF31CZ-104X	C CAPACITOR	0.1uF 16V Z	
QB103	2SC3837K/NP/-X	TRANSISTOR			C788	NEH70JM-107X	E CAPACITOR	100uF 6.3V M	
QB104	2SA1022/BC/-X	TRANSISTOR			C789	NEH71CM-476X	E CAPACITOR	47uF 16V M	
QB105	2SC3837K/NP/-X	TRANSISTOR			C790	NEH71CM-106X	E CAPACITOR	10uF 16V M	
QB106	2SA1022/BC/-X	TRANSISTOR			C791	NEH71CM-106X	E CAPACITOR	10uF 16V M	
QB107	IMX1-XW	PAIR TRANSISTOR			C794	NDC31HJ-180X	C CAPACITOR	18pF 50V J	
QB108	IMX1-XW	PAIR TRANSISTOR			C795	NDC31HJ-151X	C CAPACITOR	150pF 50V J	
QB109	IMX1-XW	PAIR TRANSISTOR			C796	NDC31HJ-180X	C CAPACITOR	18pF 50V J	
QB211	2SC3837K/NP/-X	TRANSISTOR			C801	NCF31CZ-104X	C CAPACITOR	0.1uF 16V Z	
QB212	IMX1-XW	PAIR TRANSISTOR			C802	NCF31CZ-104X	C CAPACITOR	0.1uF 16V Z	
QB231	2SC3837K/NP/-X	TRANSISTOR			C803	NCF31CZ-104X	C CAPACITOR	0.1uF 16V Z	
QB232	IMX1-XW	PAIR TRANSISTOR			C804	NEH71CM-476X	E CAPACITOR	47uF 16V M	
QB251	2SC3837K/NP/-X	TRANSISTOR			C805	NCB31HK-103X	C CAPACITOR	0.01uF 50V K	
QB252	IMX1-XW	PAIR TRANSISTOR			C806	NCB31HK-103X	C CAPACITOR	0.01uF 50V K	
QB271	2SC3837K/NP/-X	TRANSISTOR			C807	NEH71CM-476X	E CAPACITOR	47uF 16V M	
QB272	2SC3837K/NP/-X	TRANSISTOR			C808	NCB31HK-103X	C CAPACITOR	0.01uF 50V K	
QB273	2SC3837K/NP/-X	TRANSISTOR			C809	NCF11CZ-475X	C CAPACITOR	4.7uF 16V Z	
QB274	2SC3837K/NP/-X	TRANSISTOR			C810	NCF31CZ-104X	C CAPACITOR	0.1uF 16V Z	
QB275	2SC3837K/NP/-X	TRANSISTOR			C811	NCF31CZ-104X	C CAPACITOR	0.1uF 16V Z	
QB276	2SC3837K/NP/-X	TRANSISTOR			C812	NCF31CZ-104X	C CAPACITOR	0.1uF 16V Z	
QB277	2SA1022/BC/-X	TRANSISTOR			C813	NEH71CM-476X	E CAPACITOR	47uF 16V M	
DB201	MA111-X	SI DIODE			C814	NCB31HK-103X	C CAPACITOR	0.01uF 50V K	
C701	NCF31CZ-104X	C CAPACITOR	0.1uF 16V Z		C815	NCF31CZ-104X	C CAPACITOR	0.1uF 16V Z	
C702	NCF31CZ-104X	C CAPACITOR	0.1uF 16V Z		C816	NCF31CZ-104X	C CAPACITOR	0.1uF 16V Z	
C703	NCF31CZ-104X	C CAPACITOR	0.1uF 16V Z		C817	NCF31CZ-104X	C CAPACITOR	0.1uF 16V Z	
C704	NEH71CM-476X	E CAPACITOR	47uF 16V M		C818	NEH71CM-106X	E CAPACITOR	10uF 16V M	
C705	NCB31HK-103X	C CAPACITOR	0.01uF 50V K		C819	NDC31HJ-100X	C CAPACITOR	10pF 50V J	
C706	NCB31HK-103X	C CAPACITOR	0.01uF 50V K		C820	NCB31AK-474X	C CAPACITOR	0.47uF 10V K	
C707	NEH71CM-476X	E CAPACITOR	47uF 16V M		C821	NCB31HK-103X	C CAPACITOR	0.01uF 50V K	
C708	NCB31HK-103X	C CAPACITOR	0.01uF 50V K		C822	NCB11CK-225X	C CAPACITOR	2.2uF 16V K	
C709	NCF11CZ-475X	C CAPACITOR	4.7uF 16V Z		C823	NCB31HK-223X	C CAPACITOR	0.022uF 50V K	
C710	NCF31CZ-104X	C CAPACITOR	0.1uF 16V Z		C824	NCB31HK-103X	C CAPACITOR	0.01uF 50V K	
C711	NCF31CZ-104X	C CAPACITOR	0.1uF 16V Z		C826	NEH71EM-226X	E CAPACITOR	22uF 25V M	
C712	NCF31CZ-104X	C CAPACITOR	0.1uF 16V Z		C827	NEH70JM-107X	E CAPACITOR	100uF 6.3V M	
C713	NEH71CM-476X	E CAPACITOR	47uF 16V M		C828	NCF31CZ-334X	C CAPACITOR	0.33uF 16V Z	
C714	NCB31HK-103X	C CAPACITOR	0.01uF 50V K		C850	NDC31HJ-180X	C CAPACITOR	18pF 50V J	
C715	NCF31CZ-104X	C CAPACITOR	0.1uF 16V Z		C851	NDC31HJ-121X	C CAPACITOR	120pF 50V J	
C716	NCF31CZ-104X	C CAPACITOR	0.1uF 16V Z		C852	NDC31HJ-820X	C CAPACITOR	82pF 50V J	
C717	NCF31CZ-104X	C CAPACITOR	0.1uF 16V Z		C853	NEH71CM-476X	E CAPACITOR	47uF 16V M	
C718	NEH71CM-106X	E CAPACITOR	10uF 16V M		C854	NCF31CZ-104X	C CAPACITOR	0.1uF 16V Z	
C719	NDC31HJ-100X	C CAPACITOR	10pF 50V J		C855	NCB31HK-103X	C CAPACITOR	0.01uF 50V K	
C720	NCB31AK-474X	C CAPACITOR	0.47uF 10V K		C856	NCB31HK-103X	C CAPACITOR	0.01uF 50V K	
C721	NCB31HK-103X	C CAPACITOR	0.01uF 50V K		C857	NCB31HK-103X	C CAPACITOR	0.01uF 50V K	
C722	NCB11CK-225X	C CAPACITOR	2.2uF 16V K		C858	NCB31HK-103X	C CAPACITOR	0.01uF 50V K	
C723	NCB31HK-153X	C CAPACITOR	0.015uF 50V K		C859	NCB31AK-474X	C CAPACITOR	0.47uF 10V K	
C724	NCB31HK-103X	C CAPACITOR	0.01uF 50V K		C860	NCB31HK-103X	C CAPACITOR	0.01uF 50V K	
C726	NCB31HK-102X	C CAPACITOR	1000pF 50V K		C861	NDC31HJ-681X	C CAPACITOR	680pF 50V J	
C728	NEH70JM-107X	E CAPACITOR	100uF 6.3V M		C862	NCF31CZ-104X	C CAPACITOR	0.1uF 16V Z	
C750	NDC31HJ-180X	C CAPACITOR	18pF 50V J		C863	NCB31HK-103X	C CAPACITOR	0.01uF 50V K	
C751	NDC31HJ-121X	C CAPACITOR	120pF 50V J		C864	NCB31HK-103X	C CAPACITOR	0.01uF 50V K	
C752	NDC31HJ-820X	C CAPACITOR	82pF 50V J		C865	NDC31HJ-560X	C CAPACITOR	56pF 50V J	
C753	NEH71CM-476X	E CAPACITOR	47uF 16V M		C866	NDC31HJ-560X	C CAPACITOR	56pF 50V J	
C754	NCF31CZ-104X	C CAPACITOR	0.1uF 16V Z		C867	NEH71CM-476X	E CAPACITOR	47uF 16V M	
C755	NCB31HK-103X	C CAPACITOR	0.01uF 50V K		C868	NCF31CZ-104X	C CAPACITOR	0.1uF 16V Z	
C756	NCB31HK-103X	C CAPACITOR	0.01uF 50V K		C869	NDC31HJ-560X	C CAPACITOR	56pF 50V J	
C757	NCB31HK-103X	C CAPACITOR	0.01uF 50V K		C870	NDC31HJ-560X	C CAPACITOR	56pF 50V J	
C758	NCB31HK-103X	C CAPACITOR	0.01uF 50V K		C871	NCF31CZ-104X	C CAPACITOR	0.1uF 16V Z	
C759	NCB31AK-474X	C CAPACITOR	0.47uF 10V K		C872	NCF31CZ-104X	C CAPACITOR	0.1uF 16V Z	
C760	NCB31HK-103X	C CAPACITOR	0.01uF 50V K		C873	NDC31HJ-330X	C CAPACITOR	33pF 50V J	
C761	NDC31HJ-681X	C CAPACITOR	680pF 50V J		C874	NDC31HJ-150X	C CAPACITOR	15pF 50V J	
C762	NCF31CZ-104X	C CAPACITOR	0.1uF 16V Z		C875	NDC31HJ-100X	C CAPACITOR	10pF 50V J	
C763	NCB31HK-103X	C CAPACITOR	0.01uF 50V K		C876	NCB31HK-103X	C CAPACITOR	0.01uF 50V K	
C764	NCB31HK-103X	C CAPACITOR	0.01uF 50V K		C877	NCB31HK-103X	C CAPACITOR	0.01uF 50V K	
C765	NDC31HJ-560X	C CAPACITOR	56pF 50V J		C878	NCF31CZ-104X	C CAPACITOR	0.1uF 16V Z	
C766	NDC31HJ-560X	C CAPACITOR	56pF 50V J		C879	NCF31CZ-104X	C CAPACITOR	0.1uF 16V Z	
C767	NEH71CM-476X	E CAPACITOR	47uF 16V M		C880	NEH70JM-107X	E CAPACITOR	100uF 6.3V M	
C768	NCF31CZ-104X	C CAPACITOR	0.1uF 16V Z		C881	NEH70JM-107X	E CAPACITOR	100uF 6.3V M	
C769	NDC31HJ-560X	C CAPACITOR	56pF 50V J		C882	NCB31HK-103X	C CAPACITOR	0.01uF 50V K	
C770	NDC31HJ-560X	C CAPACITOR	56pF 50V J		C883	NCB31HK-103X	C CAPACITOR	0.01uF 50V K	
C771	NCF31CZ-104X	C CAPACITOR	0.1uF 16V Z		C884	NEH70JM-107X	E CAPACITOR	100uF 6.3V M	
C772	NCF31CZ-104X	C CAPACITOR	0.1uF 16V Z		C885	NEH70JM-107X	E CAPACITOR	100uF 6.3V M	
C773	NDC31HJ-330X	C CAPACITOR	33pF 50V J		C886	NEH71CM-106X	E CAPACITOR	10uF 16V M	
C774	NDC31HJ-150X	C CAPACITOR	15pF 50V J		C887	NCF31CZ-104X	C CAPACITOR	0.1uF 16V Z	
C775	NDC31HJ-100X	C CAPACITOR	10pF 50V J		C888	NEH70JM-107X	E CAPACITOR	100uF 6.3V M	
C776	NCB31HK-103X	C CAPACITOR	0.01uF 50V K		C889	NEH71CM-106X	E CAPACITOR	10uF 16V M	
C777	NCB31HK-103X	C CAPACITOR	0.01uF 50V K		C890	NEH71CM-106X	E CAPACITOR	10uF 16V M	
C778	NCF31CZ-104X	C CAPACITOR	0.1uF 16V Z		C891	NEH71CM-476X	E CAPACITOR	47uF 16V M	
C779	NCF31CZ-104X	C CAPACITOR	0.1uF 16V Z		C892	NDC31HJ-180X	C CAPACITOR	18pF 50V J	
C780	NCB31HK-103X	C CAPACITOR	0.01uF 50V K		C893	NDC31HJ-151X	C CAPACITOR	150pF 50V J	
C781	NCB31HK-103X	C CAPACITOR	0.01uF 50V K		C894	NDC31HJ-180X	C CAPACITOR	18pF 50V J	
					C895	NDC31HJ-100X	C CAPACITOR	10pF 50V J	
					C8001	NEH71CM-106X	E CAPACITOR	10uF 16V M	

HV-32D25EUW
HV-32D25EJW

△ Ref No.	Part No.	Part Name	Description	Local	△ Ref No.	Part No.	Part Name	Description	Local
RB528	NRSA63J-0R0X	MG RESISTOR	0Ω 1/16W J		L706	NQL092K-3R3X	P COIL	3.3uH K	
RB529	NRSA63J-103X	MG RESISTOR	10kΩ 1/16W J		L707	NQR0413-003X	FERRITE BEADS		
RB530	NRSA63J-103X	MG RESISTOR	10kΩ 1/16W J		L708	NQR0413-003X	FERRITE BEADS		
RB531	NRSA63J-561X	MG RESISTOR	560Ω 1/16W J		L709	NQR0413-003X	FERRITE BEADS		
RB532	NRSA63J-681X	MG RESISTOR	680Ω 1/16W J		L751	NQL092K-6R8X	P COIL	6.8uH K	
RB533	NRSA63J-750X	MG RESISTOR	75Ω 1/16W J		L752	NQL092K-6R8X	P COIL	6.8uH K	
RB534	NRSA63J-750X	MG RESISTOR	75Ω 1/16W J		L753	NQL092K-6R8X	P COIL	6.8uH K	
RB535	NRSA63J-750X	MG RESISTOR	75Ω 1/16W J		L754	NQL092M-270X	P COIL	27uH M	
RB536	NRSA63J-750X	MG RESISTOR	75Ω 1/16W J		L761	NQL034K-220X	P COIL	22uH K	
RB537	NRSA63J-681X	MG RESISTOR	680Ω 1/16W J		L762	NQL034K-101X	P COIL	100uH K	
RB538	NRSA63J-681X	MG RESISTOR	680Ω 1/16W J		L763	NQL034K-220X	P COIL	22uH K	
RB539	NRSA63J-681X	MG RESISTOR	680Ω 1/16W J		L764	NQL034K-101X	P COIL	100uH K	
RB540	NRSA63J-103X	MG RESISTOR	10kΩ 1/16W J		L765	NQL034K-101X	P COIL	100uH K	
RB541	NRSA63J-682X	MG RESISTOR	6.8kΩ 1/16W J		L766	NQL034K-220X	P COIL	22uH K	
RB542	NRSA63J-681X	MG RESISTOR	680Ω 1/16W J		L767	NQL034K-220X	P COIL	22uH K	
RB543	NRSA63J-331X	MG RESISTOR	330Ω 1/16W J		L768	NQR0413-003X	FERRITE BEADS		
RB544	NRSA63J-182X	MG RESISTOR	1.8kΩ 1/16W J		L769	NQL092M-180X	P COIL	18uH M	
RB545	NRSA63J-471X	MG RESISTOR	470Ω 1/16W J		L801	NQL092K-3R3X	P COIL	3.3uH K	
RB546	NRSA63J-101X	MG RESISTOR	100Ω 1/16W J		L802	NQL092K-3R3X	P COIL	3.3uH K	
RB547	NRSA63J-681X	MG RESISTOR	680Ω 1/16W J		L803	NQL092K-3R3X	P COIL	3.3uH K	
RB548	NRSA63J-0R0X	MG RESISTOR	0Ω 1/16W J		L804	NQL092K-3R3X	P COIL	3.3uH K	
RB549	NRSA63J-103X	MG RESISTOR	10kΩ 1/16W J		L805	NQL092K-3R3X	P COIL	3.3uH K	
RB550	NRSA63J-103X	MG RESISTOR	10kΩ 1/16W J		L806	NQL092K-3R3X	P COIL	3.3uH K	
RB551	NRSA63J-561X	MG RESISTOR	560Ω 1/16W J		L807	NQR0413-003X	FERRITE BEADS		
RB552	NRSA63J-681X	MG RESISTOR	680Ω 1/16W J		L808	NQR0413-003X	FERRITE BEADS		
RB553	NRSA63J-750X	MG RESISTOR	75Ω 1/16W J		L809	NQR0413-003X	FERRITE BEADS		
RB554	NRSA63J-750X	MG RESISTOR	75Ω 1/16W J		L851	NQL092K-6R8X	P COIL	6.8uH K	
RB555	NRSA63J-750X	MG RESISTOR	75Ω 1/16W J		L852	NQL092K-6R8X	P COIL	6.8uH K	
RB556	NRSA63J-750X	MG RESISTOR	75Ω 1/16W J		L853	NQL092K-6R8X	P COIL	6.8uH K	
RB557	NRSA63J-681X	MG RESISTOR	680Ω 1/16W J		L854	NQL092M-270X	P COIL	27uH M	
RB558	NRSA63J-681X	MG RESISTOR	680Ω 1/16W J		L861	NQL034K-220X	P COIL	22uH K	
RB559	NRSA63J-681X	MG RESISTOR	680Ω 1/16W J		L862	NQL034K-101X	P COIL	100uH K	
RB560	NRSA63J-103X	MG RESISTOR	10kΩ 1/16W J		L863	NQL034K-101X	P COIL	100uH K	
RB561	NRSA63J-682X	MG RESISTOR	6.8kΩ 1/16W J		L864	NQL034K-101X	P COIL	100uH K	
RB562	NRSA63J-681X	MG RESISTOR	680Ω 1/16W J		L865	NQL034K-220X	P COIL	22uH K	
RB563	NRSA63J-331X	MG RESISTOR	330Ω 1/16W J		L866	NQL034K-220X	P COIL	22uH K	
RB564	NRSA63J-182X	MG RESISTOR	1.8kΩ 1/16W J		L867	NQL034K-220X	P COIL	22uH K	
RB565	NRSA63J-471X	MG RESISTOR	470Ω 1/16W J		L868	NQR0413-003X	FERRITE BEADS		
RB566	NRSA63J-101X	MG RESISTOR	100Ω 1/16W J		L869	NQL092M-180X	P COIL	18uH M	
RB567	NRSA63J-681X	MG RESISTOR	680Ω 1/16W J		LB001	NQL092M-180X	P COIL	18uH M	
RB568	NRSA63J-0R0X	MG RESISTOR	0Ω 1/16W J		LB002	NQL085J-101X	COIL	100uH J	
RB569	NRSA63J-103X	MG RESISTOR	10kΩ 1/16W J		LB003	NQL085J-101X	COIL	100uH J	
RB570	NRSA63J-103X	MG RESISTOR	10kΩ 1/16W J		LB005	NQR0413-003X	FERRITE BEADS		
RB571	NRSA63J-561X	MG RESISTOR	560Ω 1/16W J		LB007	NQL092K-2R2X	P COIL	2.2uH K	
RB572	NRSA63J-681X	MG RESISTOR	680Ω 1/16W J		LB008	NQL092K-2R2X	P COIL	2.2uH K	
RB573	NRSA63J-750X	MG RESISTOR	75Ω 1/16W J		LB009	NQL092K-2R2X	P COIL	2.2uH K	
RB574	NRSA63J-750X	MG RESISTOR	75Ω 1/16W J		LB101	NQR0413-003X	FERRITE BEADS		
RB575	NRSA63J-750X	MG RESISTOR	75Ω 1/16W J		LB102	NQR0413-003X	FERRITE BEADS		
RB576	NRSA63J-750X	MG RESISTOR	75Ω 1/16W J		LB104	NQR0413-003X	FERRITE BEADS		
RB577	NRSA63J-0R0X	MG RESISTOR	0Ω 1/16W J		LB106	NRSA02J-0R0X	MG RESISTOR	0Ω 1/10W J	
RB578	NRSA63J-0R0X	MG RESISTOR	0Ω 1/16W J		LB107	NRSA02J-0R0X	MG RESISTOR	0Ω 1/10W J	
RB579	NRSA63J-103X	MG RESISTOR	10kΩ 1/16W J		LB109	NRSA02J-0R0X	MG RESISTOR	0Ω 1/10W J	
RB580	NRSA63J-472X	MG RESISTOR	4.7kΩ 1/16W J		LB201	NRSA02J-0R0X	MG RESISTOR	0Ω 1/10W J	
RB581	NRSA63J-103X	MG RESISTOR	10kΩ 1/16W J		LB202	NQR0413-003X	FERRITE BEADS		
RB582	NRSA63J-472X	MG RESISTOR	4.7kΩ 1/16W J		LB204	NQR0413-003X	FERRITE BEADS		
RB583	NRSA63J-101X	MG RESISTOR	100Ω 1/16W J		LB205	NQR0413-003X	FERRITE BEADS		
RB584	NRSA63J-101X	MG RESISTOR	100Ω 1/16W J		LB206	NQR0413-003X	FERRITE BEADS		
RB585	NRSA63J-222X	MG RESISTOR	2.2kΩ 1/16W J		LB207	NRSA02J-0R0X	MG RESISTOR	0Ω 1/10W J	
RB586	NRSA63J-820X	MG RESISTOR	82Ω 1/16W J		LB211	NQL092K-2R2X	P COIL	2.2uH K	
RB587	NRSA63J-181X	MG RESISTOR	180Ω 1/16W J		LB231	NQL092K-2R2X	P COIL	2.2uH K	
RB588	NRSA63J-181X	MG RESISTOR	180Ω 1/16W J		LB251	NQL092K-2R2X	P COIL	2.2uH K	
RB589	NRSA63J-560X	MG RESISTOR	56Ω 1/16W J		LB271	NQL092K-2R2X	P COIL	2.2uH K	
RB590	NRSA63J-152X	MG RESISTOR	1.5kΩ 1/16W J		LB602	NQR0413-003X	FERRITE BEADS		
RB591	NRSA63J-102X	MG RESISTOR	1kΩ 1/16W J						
RB592	NRSA63J-331X	MG RESISTOR	330Ω 1/16W J		KB002	NRSA02J-0R0X	MG RESISTOR	0Ω 1/10W J	
RB593	NRSA63J-182X	MG RESISTOR	1.8kΩ 1/16W J		KB003	NQR0413-002X	FERRITE BEADS		
RB595	NRSA63J-561X	MG RESISTOR	560Ω 1/16W J		KB004	NRSA02J-0R0X	MG RESISTOR	0Ω 1/10W J	
RB596	NRSA63J-680X	MG RESISTOR	680Ω 1/16W J		KB008	NRSA02J-0R0X	MG RESISTOR	0Ω 1/10W J	
RB597	NRSA63J-681X	MG RESISTOR	680Ω 1/16W J		KB012	NRSA02J-0R0X	MG RESISTOR	0Ω 1/10W J	
RB598	NRSA63J-121X	MG RESISTOR	120Ω 1/16W J		KB013	NRSA02J-0R0X	MG RESISTOR	0Ω 1/10W J	
RB601	NRSA63J-0R0X	MG RESISTOR	0Ω 1/16W J		KB014	NRSA02J-0R0X	MG RESISTOR	0Ω 1/10W J	
RB602	NRSA63J-0R0X	MG RESISTOR	0Ω 1/16W J		KB015	NRSA02J-0R0X	MG RESISTOR	0Ω 1/10W J	
RB604	NRSA63J-222X	MG RESISTOR	2.2kΩ 1/16W J		KB020	NQR0413-002X	FERRITE BEADS		
RB605	NRSA63J-0R0X	MG RESISTOR	0Ω 1/16W J		KB021	NQR0413-002X	FERRITE BEADS		
RB607	NRSA63J-0R0X	MG RESISTOR	0Ω 1/16W J		KB022	NRSA02J-0R0X	MG RESISTOR	0Ω 1/10W J	
RB610	NRSA63J-0R0X	MG RESISTOR	0Ω 1/16W J		KB201	NRSA02J-0R0X	MG RESISTOR	0Ω 1/10W J	
RB612	NRSA63J-271X	MG RESISTOR	270Ω 1/16W J		KB202	NQR0413-003X	FERRITE BEADS		
RB613	NRSA63J-221X	MG RESISTOR	220Ω 1/16W J		LC005	NQR0415-005X	EMI FILTER	0.1uF 25V M	
RB621	NRSA63J-0R0X	MG RESISTOR	0Ω 1/16W J		LC006	NQR0415-005X	EMI FILTER	0.1uF 25V M	
RB622	NRSA63J-220X	MG RESISTOR	22Ω 1/16W J		LC008	NQR0415-005X	EMI FILTER	0.1uF 25V M	
RB623	NRSA63J-0R0X	MG RESISTOR	0Ω 1/16W J		LC009	NQR0415-005X	EMI FILTER	0.1uF 25V M	
					LC010	NQR0415-005X	EMI FILTER	0.1uF 25V M	
					LC011	NQR0415-005X	EMI FILTER	0.1uF 25V M	
L701	NQL092K-3R3X	P COIL	3.3uH K		LC012	NQR0416-001X	EMI FILTER		
L702	NQL092K-3R3X	P COIL	3.3uH K		LC013	NQR0416-001X	EMI FILTER		
L703	NQL092K-3R3X	P COIL	3.3uH K		LC017	NQR0415-005X	EMI FILTER	0.1uF 25V M	
L704	NQL092K-3R3X	P COIL	3.3uH K		LC018	NQR0415-005X	EMI FILTER	0.1uF 25V M	
L705	NQL092K-3R3X	P COIL	3.3uH K						

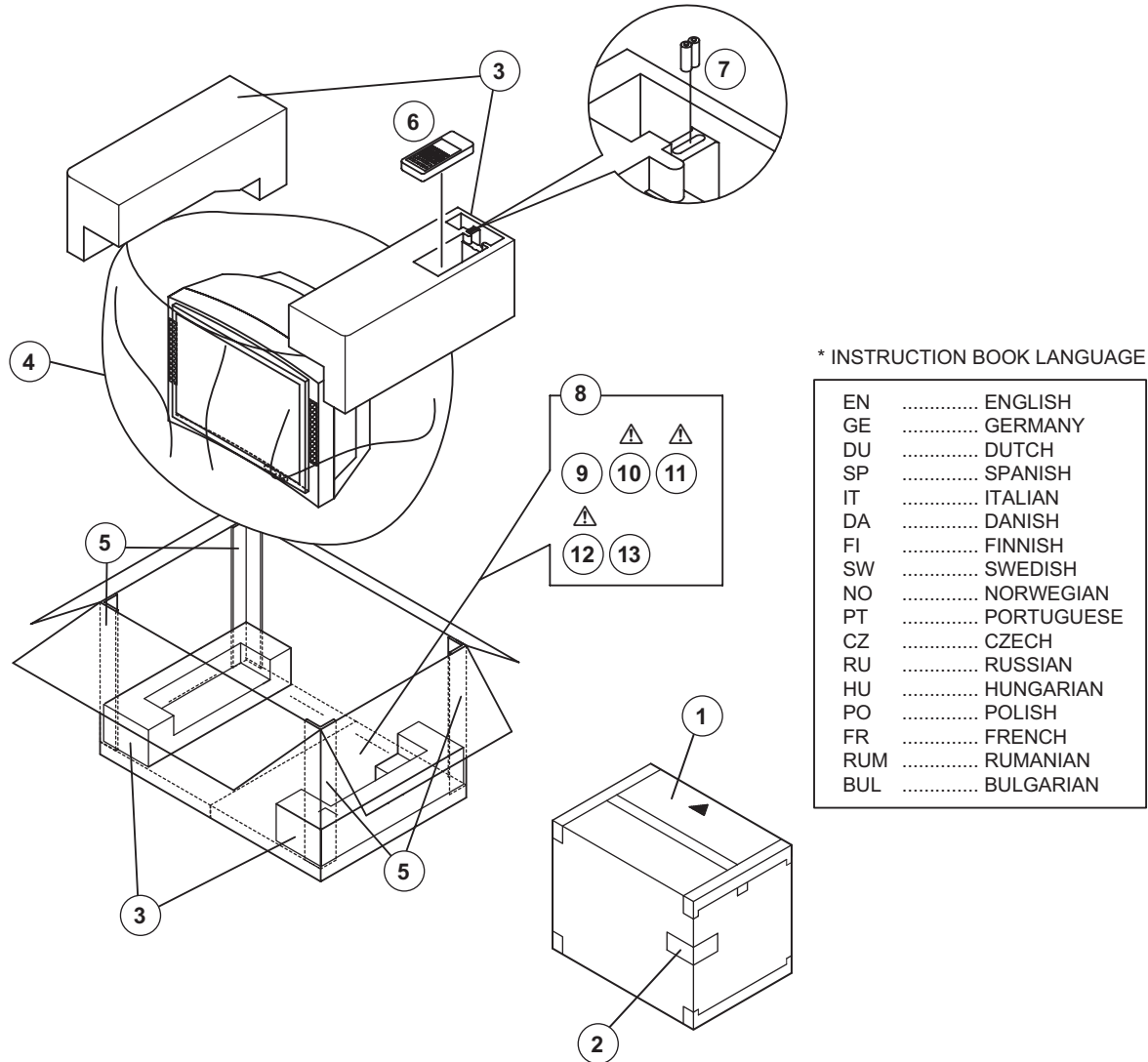
△ Ref No.	Part No.	Part Name	Description	Local
LC019	NQR0415-005X	EMI FILTER	0.1uF 25V M	
LC020	NQR0415-005X	EMI FILTER	0.1uF 25V M	
LC021	NQR0415-005X	EMI FILTER	0.1uF 25V M	
LC025	NQR0415-005X	EMI FILTER	0.1uF 25V M	
LC029	NQR0415-005X	EMI FILTER	0.1uF 25V M	
LC030	NQR0415-005X	EMI FILTER	0.1uF 25V M	
LC031	NQR0415-005X	EMI FILTER	0.1uF 25V M	
LC032	NQR0415-005X	EMI FILTER	0.1uF 25V M	
LC601	NQR0415-005X	EMI FILTER	0.1uF 25V M	
X101	NAX0539-001X	CXO	10.000MHz	
X601	NAX0526-001X	CXO	74.1758MHz	
X701	QAX0305-001	CRYSTAL	16.200MHz	
X801	QAX0305-001	CRYSTAL	16.200MHz	

REMOTE CONTROL UNIT PARTS LIST



△ Ref.No.	Part No.	Part Name	Description	Local
1	2AA027770	BATTERY DOOR	RM-C61-1C/RM-C62-1C	
2	2AA027760	COVER	RM-C61-1C/RM-C62-1C	

PACKING



PACKING PARTS LIST

△ Ref.No.	Part No.	Part Name	Description	Local
1	LC10101-017A	PACKING CASE		
2	AEM1064-034-E	EURO LABEL		EJW
2	AEM1064-035-E	EURO LABEL		EJW
3	LC11361-001C	CUSHION ASSY	4pcs in 1set	
4	AEM1047-A02-E	POLY BAG	TV set	
5	AEM3119-006A-E	CORNER POST	(x4)	
6	RM-C61-1C	REMOCON		EJW
6	RM-C62-1C	REMOCON		EJW
7	-----	BATTERY	(x2)	
8	AEM3021-003A-E	POLY BAG	ACCESSORY	
9	BT-54013-4E	WARRANTY CARD		
△ 10	LCT1272-001A-U	INST BOOK	EN/GE/FR/DU/SP/IT/PT	EJW
△ 10	LCT1271-001A-U	INST BOOK	EN	EJW
△ 11	LCT1273-001A-U	INST BOOK	NO/FI/DA/SW	EJW
△ 12	LCT1274-001A-U	INST BOOK	RU/PO/CZ/HU/RUM/BUL	EJW
13	32D25EU-HS-A-E	S DAIAGRAM	[ITARY VERSION]	EJW